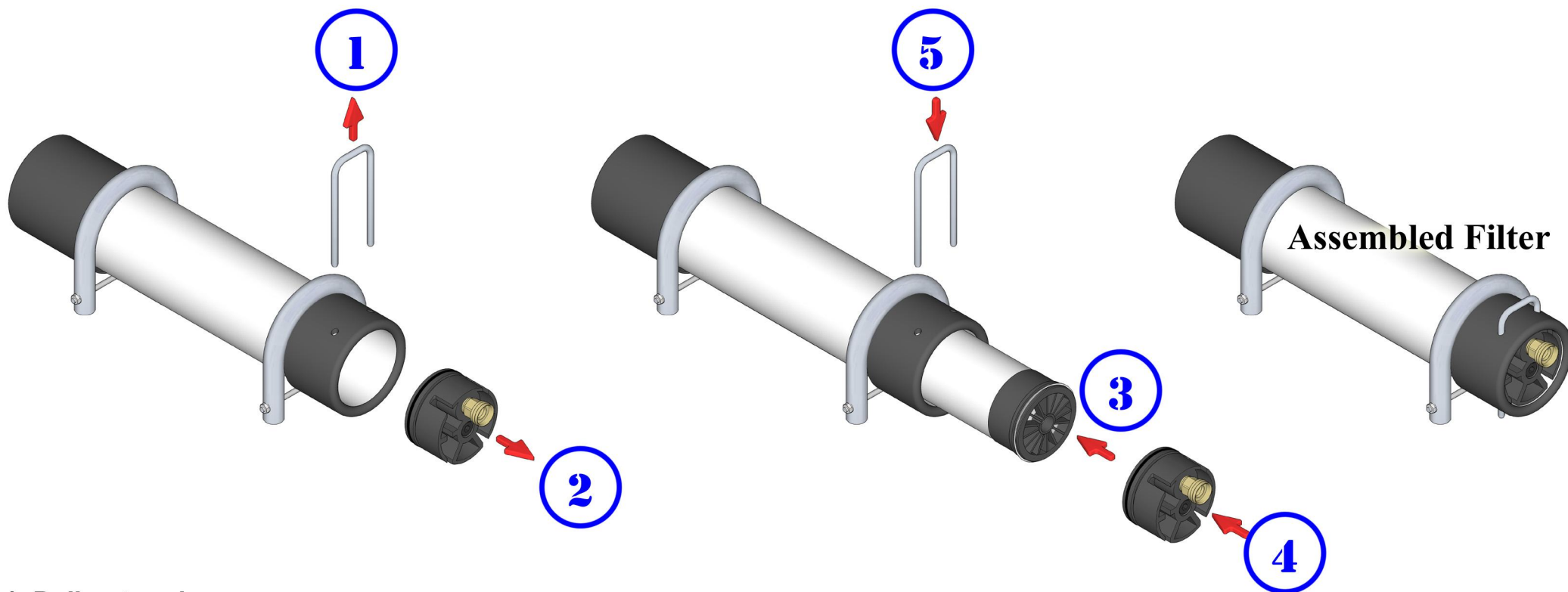


# Assembly Instructions

For RHG's Pro-Rinse©  
RHG PN 1-10002



1. Pull out u-pin.
2. Remove housing insert.
3. Insert DI cartridge, with white o-ring end towards open end of filter housing, until cartridge is fully inserted.
4. Re-insert housing insert.
5. Re-insert u-pin.

\*FILTER PRODUCES NON-POTABLE WATER

**RHG**  
Products Co.

[WWW.RHGPRODUCTS.COM](http://WWW.RHGPRODUCTS.COM)